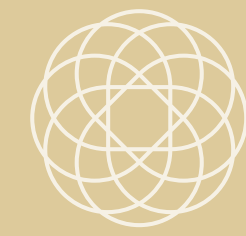
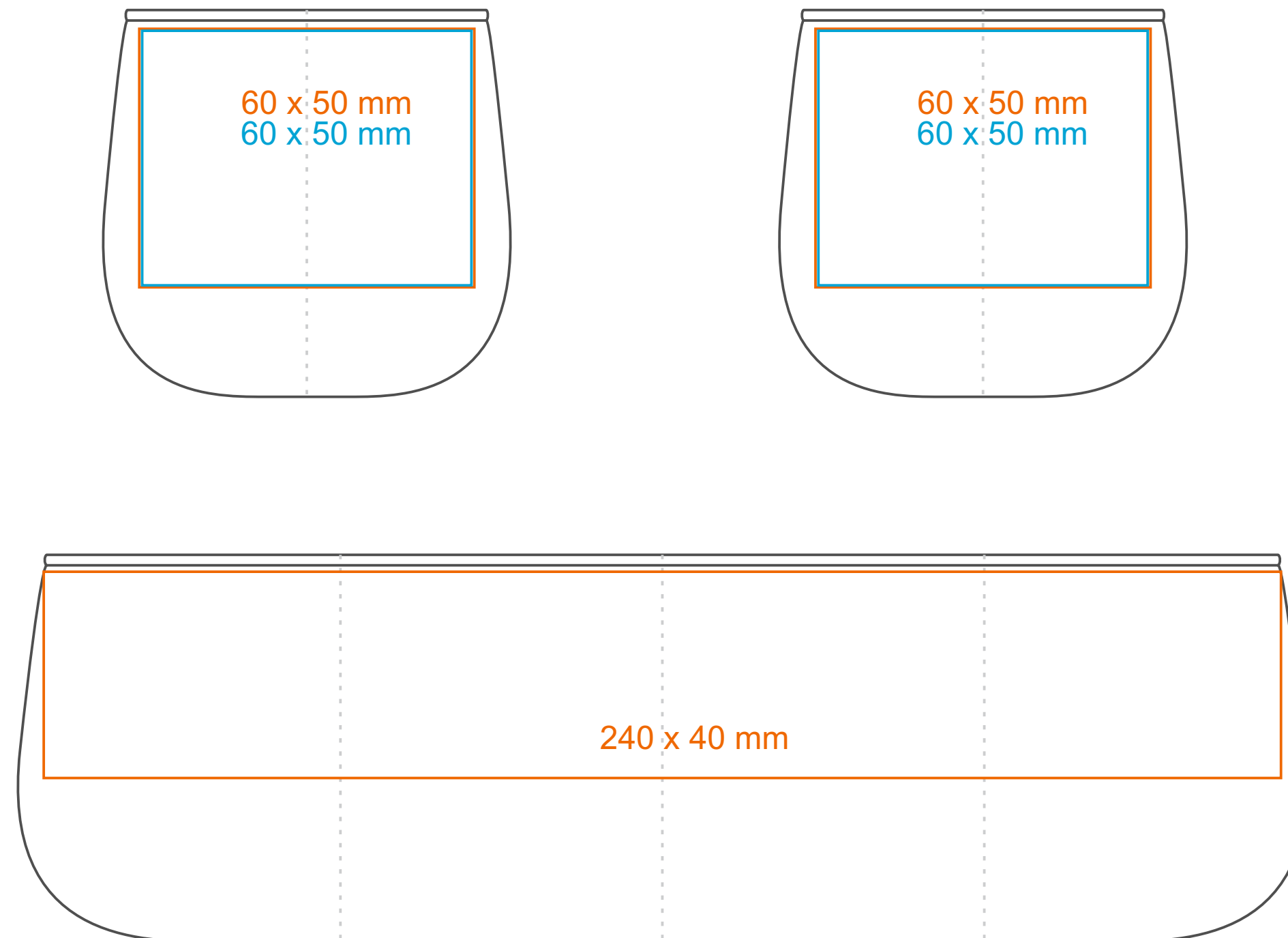


# Sensitive

260 ml / h: 75 mm / Ø 79 mm



CANDLESPIHERE  
enlight your brand



\*In the case of projects running outside of the standard print area,  
please contact our sales department.

## Meaning

- Transfer Print
- Laser Engraving
- Direct Print